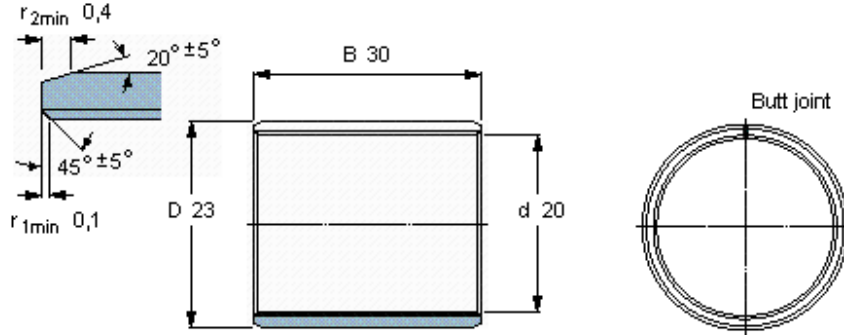


Composite dry sliding bushings, metric dimensions

| Principal dimensions |    |    | Basic load ratings |              | Mass  | Designation  |
|----------------------|----|----|--------------------|--------------|-------|--------------|
| d                    | D  | B  | dynamic<br>C       | static<br>C0 |       |              |
| mm                   |    |    | kN                 |              | kg    | -            |
| <b>20</b>            | 23 | 30 | 46,5               | 146          | 0,023 | PCM 202330 E |



|                             |           |
|-----------------------------|-----------|
| <b>Specific load factor</b> | K 80      |
| <b>Material constant</b>    | $K_M$ 480 |